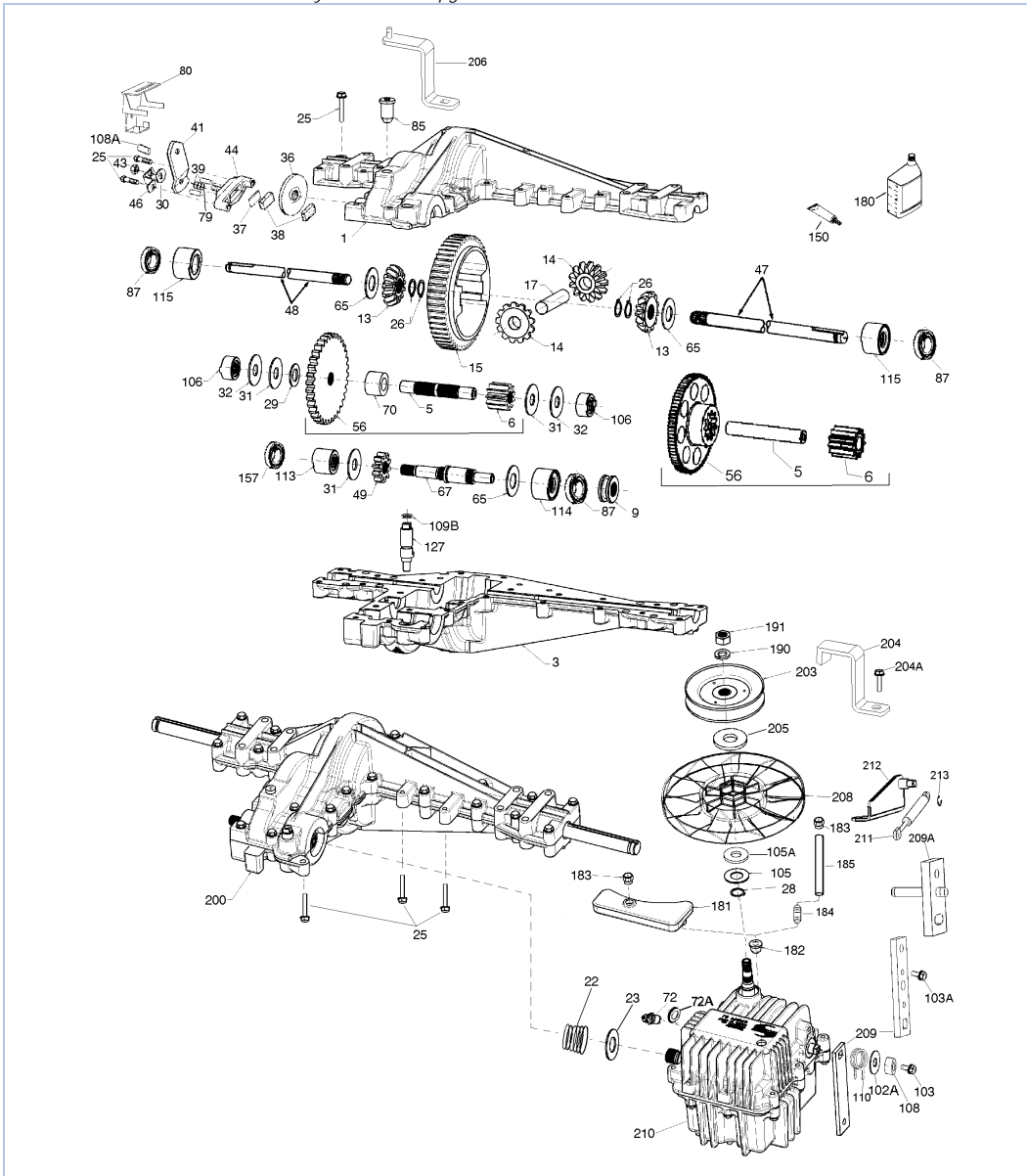


lth2000 2000-2000-006A / Hydro Transaxle pg 1



Part List

lth2000 2000-2000-006A / Hydro Transaxle pg 1

REF #	ITEM #	DESCRIPTION	QTY	REMARK
1	772151	Cover LH (mach)	1	
3	770135	Case LH (cast)	1	
5	776445	Counter Shaft	1	
6	778387	Spur Gear 11T	1	
9	786197	Neutral Sleeve .572L	1	
13	778368	Bevel Gear 13T (Incl. 14)	2	
14	778368	Bevel Gear 13T (Incl. 13)	2	
15	778373	Ring Gear 54T	1	
17	786139	Drive Pin	1	
22	792194	Spring	1	
23	792195	Washer .750ID .032T	1	
25	792073A	Screw 1/4-20 x 1.25	25	
26	792125	Retaining Ring	4	
28	792035	Retaining Ring	1	
29	780065	Washer .627ID .091W	1	
31	780189	Washer .563ID .062W	1	
32	780072	Washer .627ID .031W	2	
36	790071	Brake Disk	1	
37	790103	Brake Pad Plate	1	
38	799021	Brake Pad	2	
41	790102	Brake Lever	1	
43	792171	Screw 10-24 x .500	1	
47	774869	Axle 16.812	1	
48	774688	Axle 11.625	1	
49	778388	Spur Gear 18T	1	
56	778386	Spur Gear 81T	1	
65	780001	Washer .750ID .056W	3	
67	776440	Brake Shaft	1	
79	792201	Spring	1	
85	792154	Oil Fill Plug	1	
87	788088A	Oil Seal .750	3	
103	792193	Screw 1/4-28 x .490	1	
105	780096	Washer .625ID .057W	1	
106	786205	Needle Bearing & Sleeve Assembly	2	
109B	792162	Push Nut	1	
113	786199	Sleeve Assembly (Incl. 157)	1	
114	786200	Sleeve Assembly (Incl. 87)	1	
115	786198	Sleeve Assembly (Incl. 87)	2	
127	784384	Shift Lever Assembly (Incl. 109)	1	
150	788093A	Liquid Gasket RTV Silicon	1	
157	788102	Oil Seal .5625ID	1	
180	730229B	Gear Oil 80W90	1	
181	798042	Overflow Bottle	1	
182	788103	Grommet	1	
183	792118	Relief Valve	1	
190	792150	Washer .443ID .109W	1	
191	792151	Nut 7/16-20	1	
200	794787A	Differential (Gear Reduction Drive)	1	
203	798044	Pulley & Hub Assembly	1	
204	798057	Belt Keeper	1	
204A	792067	Screw 5/16-18 x 1	1	
204A	792067	Screw, , 5/16-18 x 1"	1	
206	798055	Disconnect Lever	1	
208	798040	Fan	1	
209	798054	Control Lever	1	
210	794788	Hydro Module LH	1	